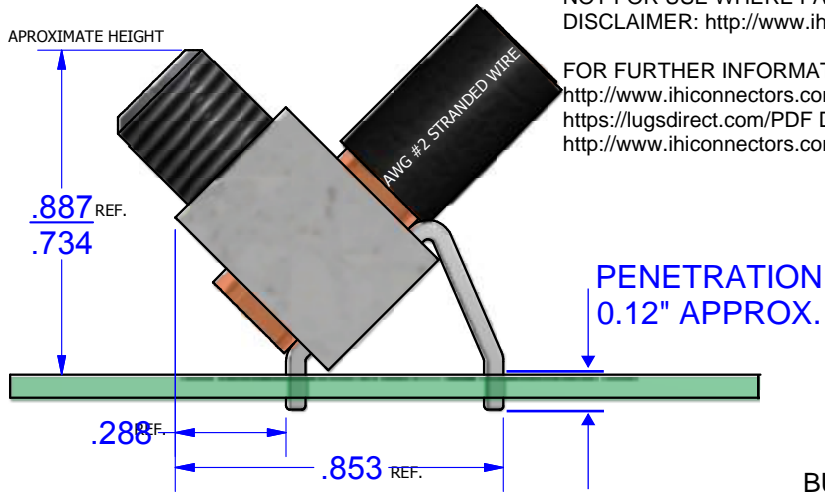
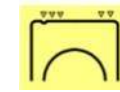
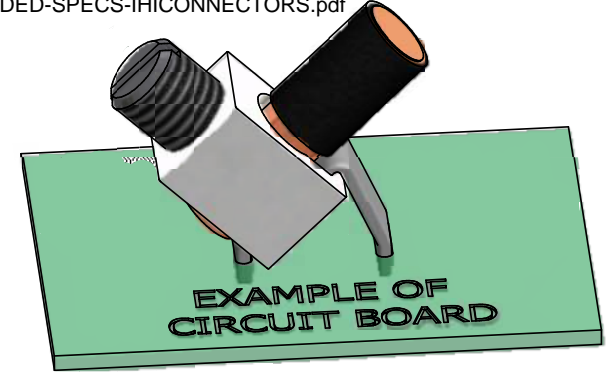


NOT FOR USE WHERE FAILURE CREATES A HAZARD TO HUMAN HEALTH OR SAFETY. ALL PRODUCTS ARE SUBJECT TO THIS FULL DISCLAIMER: <http://www.ihconnectors.com/disclaimer.html>

FOR FURTHER INFORMATION ON THE PROPER USE OF THIS PRODUCT IN SPECIFIC APPLICATIONS SEE
http://www.ihconnectors.com/High_Amp_Wide_Trace_PCB_Wire_Connection.html
https://lugsdirect.com/PDF_Documents/5-16-SLOTTEDSCREW-BIT-RECOMMENDED-SPECS-IHCONNECTORS.pdf
<http://www.ihconnectors.com/Technical-Data-Installation.htm>

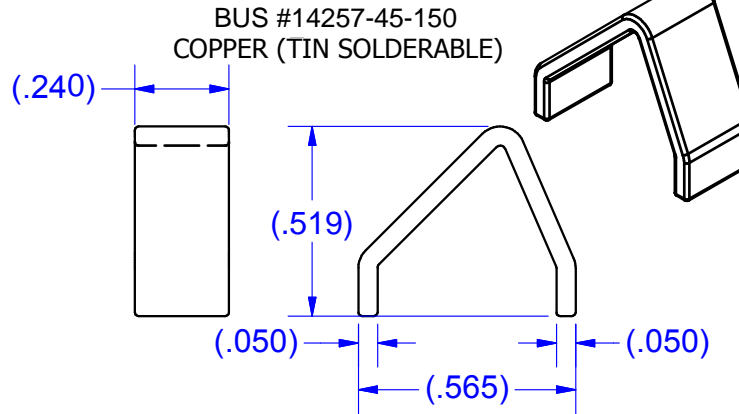


CONDITIONS OF ACCEPTABILITY
 ARE NOMINALLY PROVIDED BY
 THE TURN PREVENT STAPLES
 OF MINIMUM REQUIRED CROSS
 SECTION IN CONJUNCTION WITH
 ADEQUATE PCB STRUCTURE.

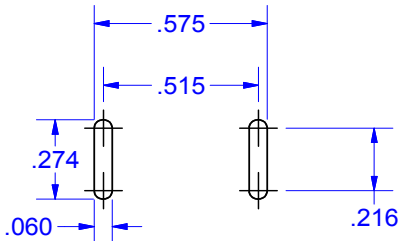
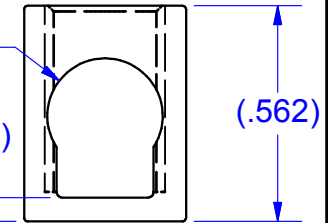
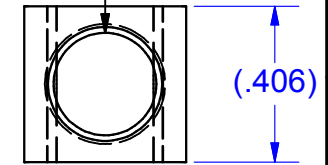


EXTRUSION CAVITY ID MARKS
 WHEN USED FOLLOW THIS TYPICAL
 PATTERN ON THE TOP OF THE PART

5/16-24 UNF - 2B



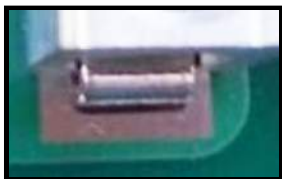
PARTS MARKED
 B2
 IHI LOGO
 CSA LOGO
 UL RECOGNITION
 LOGO
 2-14CU7
 2-8AL7



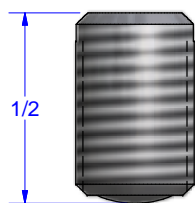
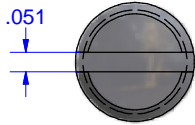
EXAMPLE OF
 CIRCUIT BOARD

Component Screw Options

**EXAMPLES OF TYPICAL
 SOLDER PADS**

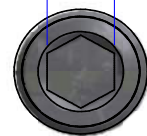


SCREW #12786SS
 STAINLESS STEEL
 INSERTED TO BOTTOM
 OF WIRE HOLE

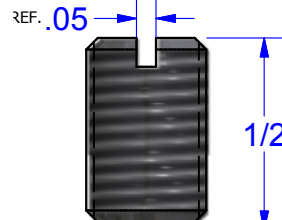


Screw
 #12786-HEX
 Steel (Zinc Plated)

4mm 5/32



SCREW # 12786/15718/15720
 Steel (Zinc Plated)
 INSERTED TO BOTTOM
 OF WIRE HOLE



CONNECTOR #B2A
 ALUMINUM (TIN PLATED)

Schematic drawing covers:
 B2A-PCB-45-150
 B2A-PCB-45-150-HEX
 B2A-PCB-45-150-SS

THIS DRAWING AND DESIGN ARE THE PROPERTY
 OF INTERNATIONAL HYDRAULICS, INC.,
 CLEVELAND, OHIO, AND MAY NOT BE DUPLICATED,
 USED FOR THE BASIS OF DESIGN OR
 MANUFACTURE WITHOUT THE WRITTEN
 PERMISSION OF INTERNATIONAL HYDRAULICS,
 INC., CLEVELAND, OHIO.

GENERAL TOLERANCES
 ±.015 (±0.038)

MATERIAL: **SEE ABOVE**

FINISH:

INTERNATIONAL HYDRAULICS, INC.

TITLE:
**Connector + bus for PCB Mount
 45deg. ASSEMBLED CONNECTOR**

SIZE: DRAWN BY: DWG NO.: REV:
 TDS "MULTI" SEE ABOVE 1

DATE: 11/7/11
 11/7/14

IHI CONNECTORS